

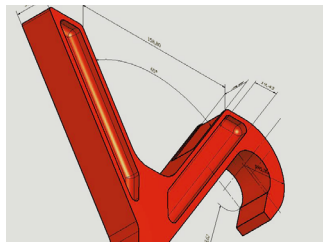
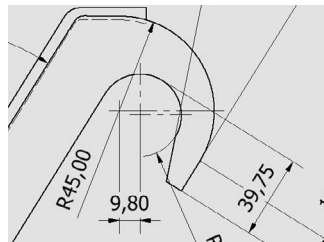
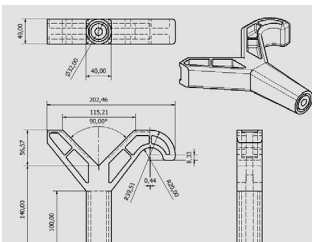
VTOOLS
Hands free safety



MBRUBBER
Industrial product engineering & manufacturing

MB Rubber Aberdeen Limited
Thainstone Agricultural Centre
Thainstone, Inverurie
Aberdeenshire, AB51 5WU
Scotland, UK

+44 (0)1224 518 440
blairsmart@mbrubber.co.uk
www.mbrubber.co.uk



Design and manufactured by MB Rubber Aberdeen Limited, VTools is a range of unique 'Hands Free Safety' tools for the oil & gas and global industry, where the precise positioning and safe movement of loads is crucial.

The VTools allow users to safely and efficiently guide and manipulate loads. Instead of using their hands directly, users can use the VTools to safely steady, guide, hook, wrap, or grab. The tools are made from high-grade, lightweight materials, providing durability, strength, and easy manoeuvrability during tasks.

Models

There are three models available in the range, the *FR* - Fixed Reach, *AR* - Adjustable Reach and *PH* - Pole Handler. The *FR* model offers two head angle options for different applications, the V65 and V90, and is available in two different pole lengths. The *FR* model comes with a more robust head for heavy duty applications.

The *AR* model has an adjustable pole for tasks that require flexibility or adjustable reach. This can be convenient when dealing with varying work situations. The *AR* model comes with a lightweight V65 or V90 head option, making it excellent for easy handling and manoeuvrability during tasks.

The *PH* model is a 2 in 1 tool, it function like the *FR* model but has a unique chock deployment system designed into the bottom handle section, and comes with a chock deployment key.

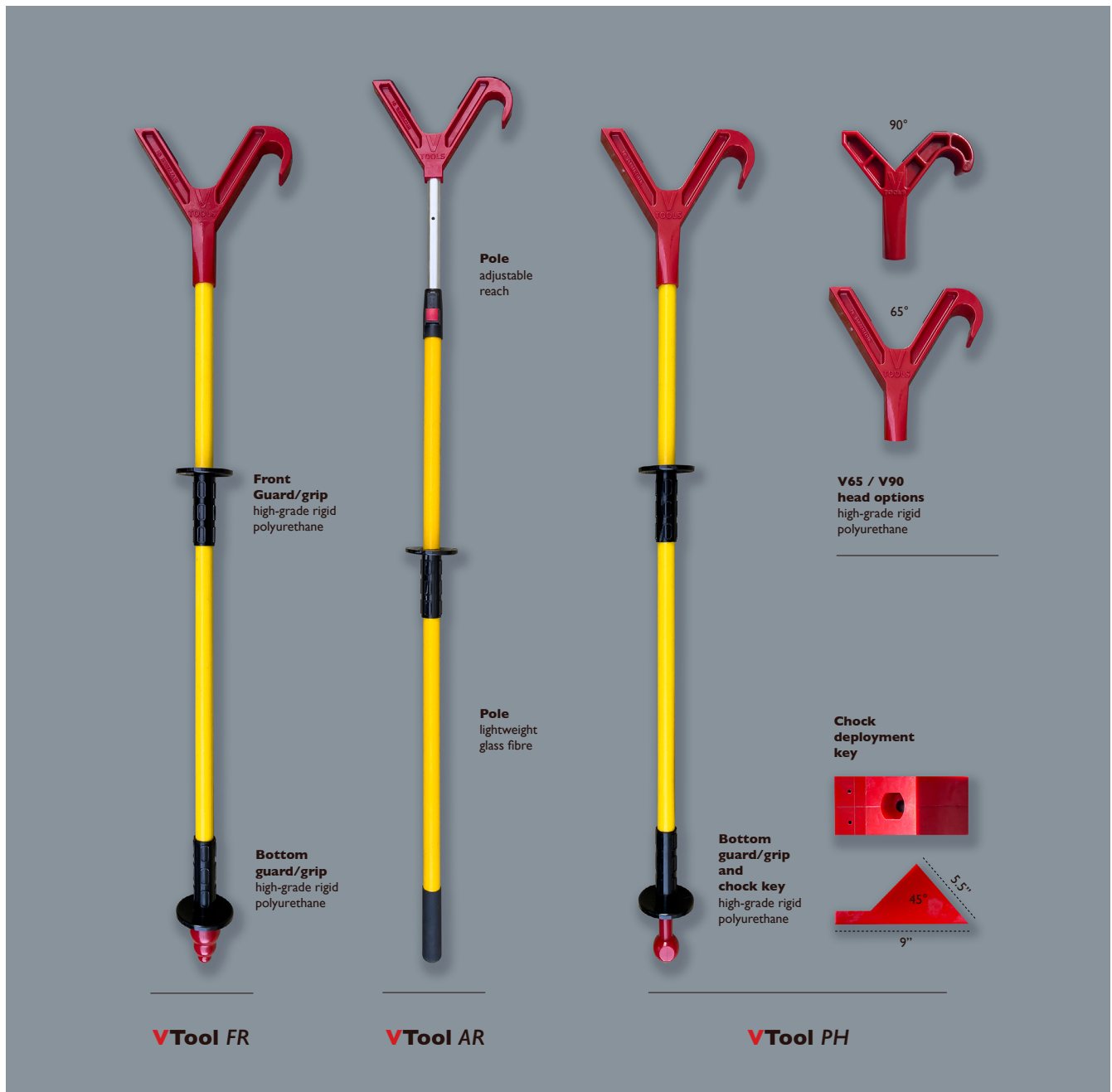


Head Options - V65° / V90°

VTool FR and AR models come with two head angle options, the V65 and V90, and the PH model comes with the V65 only. Both head options are designed to cater to different applications and specific needs. The V65 head has been specifically engineered to handle pipes up to 5" in diameter, and makes it an ideal for tasks that involve manoeuvring and guiding pipes safely and efficiently into position. The V90 head has been designed to allow for positive location on unit corners. This ensures secure and stable positioning of the tool on corners, making it easier to safely guide and control loads.

Quality Manufactured

VTools are manufactured from quality materials for longevity. The V65 and V90 heads are made from high-grade rigid polyurethane, providing durability and strength. The standard pole and extended pole is made from lightweight glass fibre and the hand guard/grips and chock deployment key are made from high-grade rigid polyurethane.



Technical Specifications

VTool FR - Fixed Reach [Available in 2 sizes and 2 head options]

PART NUMBER	HEAD ANGLE	TOOL LENGTH	HANDLE END	TOOL DIMENSIONS	TOOL WEIGHT
VTOOL-FR-50L-90-REG	90 DEG	50"	POLYURETHANE HAND GUARD/GRIP	54" x 8" x 4"	1.150 KG
VTOOL-FR-52L-65-REG	65 DEG	52"	POLYURETHANE HAND GUARD/GRIP	56" x 10.25" x 4"	1.350 KG
VTOOL-FR-72L-90-REG	90 DEG	72"	POLYURETHANE HAND GUARD/GRIP	76" x 8" x 4"	1.450 KG
VTOOL-FR-74L-65-REG	65 DEG	74"	POLYURETHANE HAND GUARD/GRIP	78" x 10.25" x 4"	1.650 KG

VTool AR - Adjustable Reach [Available in 2 sizes and 2 head options]




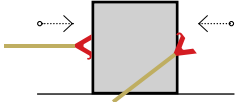


PART NUMBER	HEAD ANGLE	TOOL LENGTH	HANDLE END	TOOL DIMENSIONS	TOOL WEIGHT
VTOOL-AR-EXT-26L-90	90 DEG	26" CLOSED 36" EXTENDED	RUBBER END GRIP	CLOSED 27" x 8" x 1.5"	0.800 KG
VTOOL-AR-EXT-28L-65	65 DEG	28" CLOSED 38" EXTENDED	RUBBER END GRIP	CLOSED 28" x 10.25" x 1.5"	0.800 KG
VTOOL-AR-EXT-57L-90	90 DEG	57" CLOSED 98" EXTENDED	RUBBER END GRIP	CLOSED 57" x 8" x 1.5"	1.300 KG
VTOOL-AR-EXT-58L-65	65 DEG	58" CLOSED 100" EXTENDED	RUBBER END GRIP	CLOSED 58" x 10.25" x 1.5"	1.400 KG

VTool PH - Pipe Handler with Chock Key End & Chock Deployment Key [Available in 2 sizes and 1 head option]

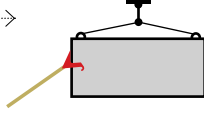

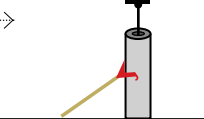
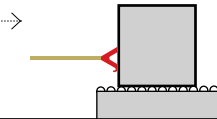
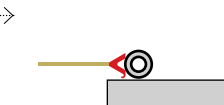
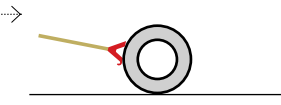
PART NUMBER	HEAD ANGLE	TOOL LENGTH	HANDLE END	TOOL DIMENSIONS	TOOL WEIGHT
VTOOL-PH-HD-52L-90	65 DEG	52"	POLYURETHANE HAND GUARD/GRIP	56" x 10.25" x 4"	1.450 KG
VTOOL-PH-74L-65	65 DEG	74"	C/W CHOCK KEY END	78" x 10.25" x 4"	1.750 KG

PART NUMBER	BLOCK ANGLE	BLOCK LENGTH	MATERIAL	BLOCK WIDTH	BLOCK HEIGHT
PH-CHOCK-9"-45DEG	45 DEG	9"	POLYURETHANE	4"	4"

Safety and Usage

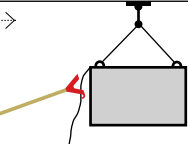
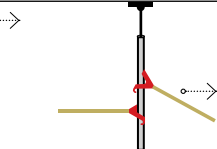
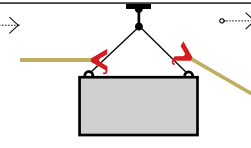
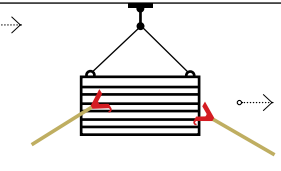
	<p>Always wear proper personal protective equipment as the job requires.</p>	 <p>When using the VTool, stand with both feet firmly on the ground at all times.</p>
	<p>Use both hands when operating the VTool.</p>	 <p>For safety, only use for push, pull and guiding applications</p>
	<p>Inspect the VTool for any issues before each use.</p>	 <p>Clean the VTool after each use.</p>

Proper Use of Tool Head: the 'V' head can be used to:

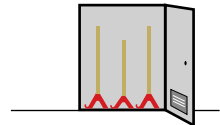

	<p>Push the corner edge of an object to move/guide/control the load.</p>	 <p>Push on a flat surface to move, guide, control an object.</p>
	<p>Push and guide suspended vertical tubing into position.</p>	 <p>Push and control objects along a rolling rack.</p>
	<p>Push and control tubulars along a pipe rack.</p>	 <p>Push and control rolling objects on the ground.</p>

VTools like any product may cause harm if misused, or used in a way that it is not intended. For more details, please visit our website and click on 'product disclaimer'.

Head Grab Hook: can be used to:

	<p>Retrieve tagline without being under the load.</p>	 <p>Push or pull suspended vertical tubing 1.5" OD or less.</p>
	<p>Push or pull cable, wire rope or chain slings to guide and control a load.</p>	 <p>Push or pull cargo baskets with rims up to 5" in width.</p>

Storage and Cleaning: looking after your equipment

	<p>Store in a cool dry place, using the head as a support base. The VTool AR model should be stored in the closed position.</p>	 <p>If contaminated, the VTool can be cleaned with any mild detergent for best results.</p>
---	---	---

For additional information on our VTools, please visit our website at: www.mbrubber.co.uk
For Product Sales and Customer Care, please call +44 (0)1224 518 440

Branding, design and photography by STUDIO.1 (Aberdeen)